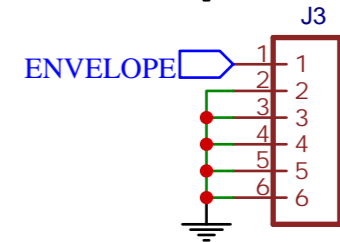
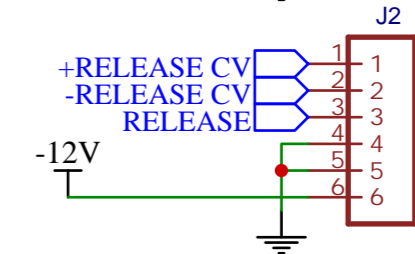
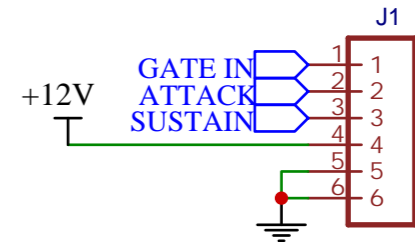
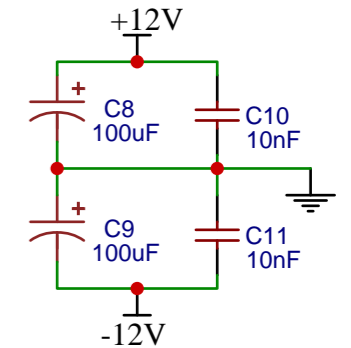
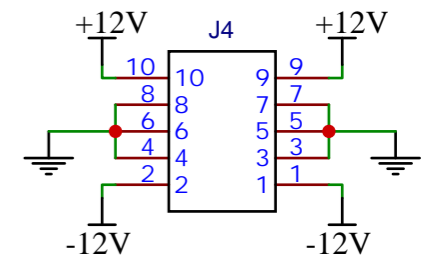


Board Connectors




Power Supply

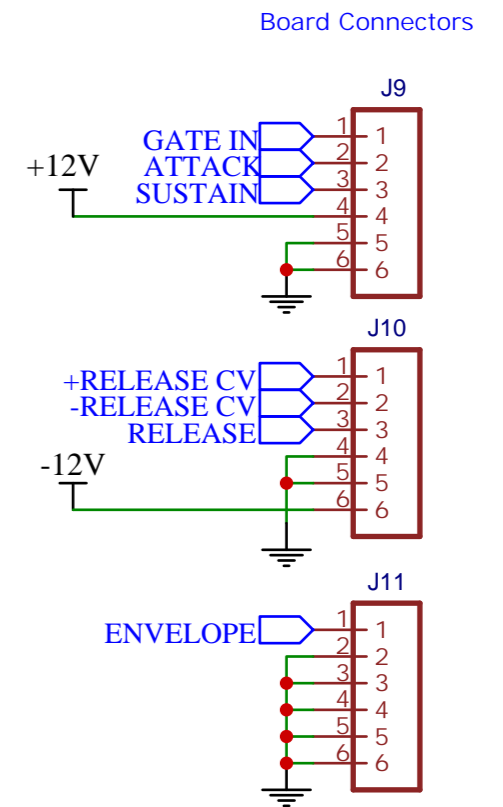
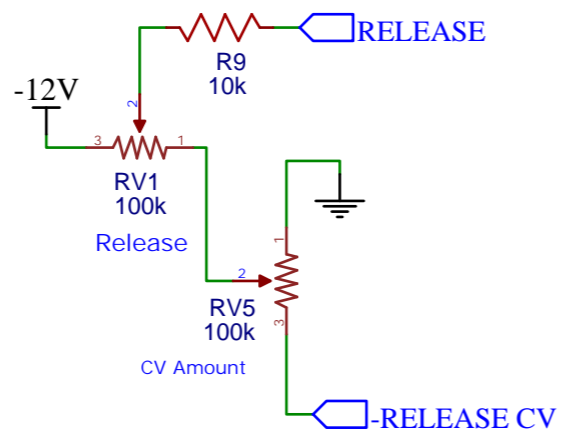
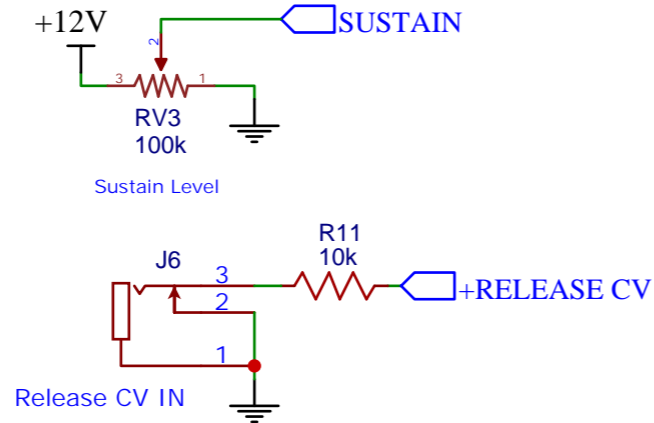
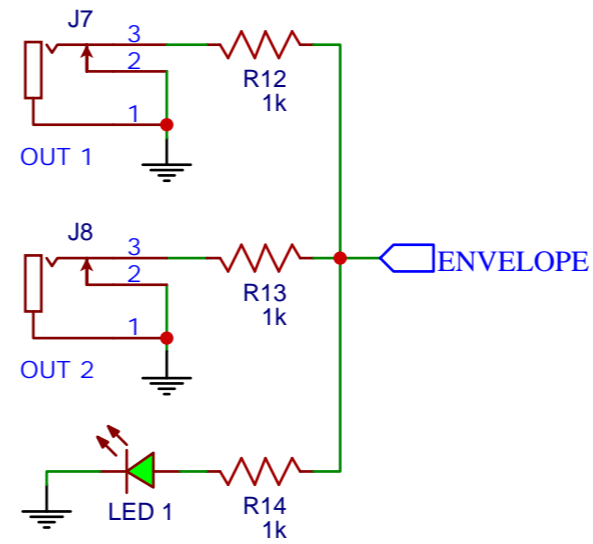
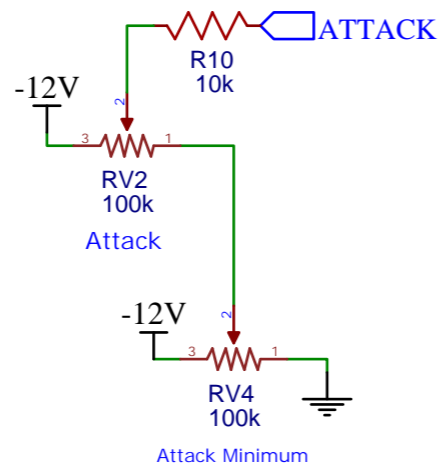
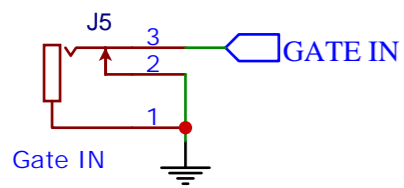


Based on the "AS3310 - ADSR Voltage Controlled Envelope Generator" datasheet




Creative Commons yeah!
License: CC BY-SA 4.0

TITLE: Voltage Controlled Envelope Generator > Main Board		REV: 2
	Company: Bumm Bumm Garage	Sheet: 1/2
	Date: October 2021	Drawn By: Steffen



Creative Commons yeah!
License: CC BY-SA 4.0

TITLE: Voltage Controlled Envelope Generator > Control Board		REV: 2
	Company: Bumm Bumm Garage	Sheet: 2/2
	Date: October 2021	Drawn By: Steffen