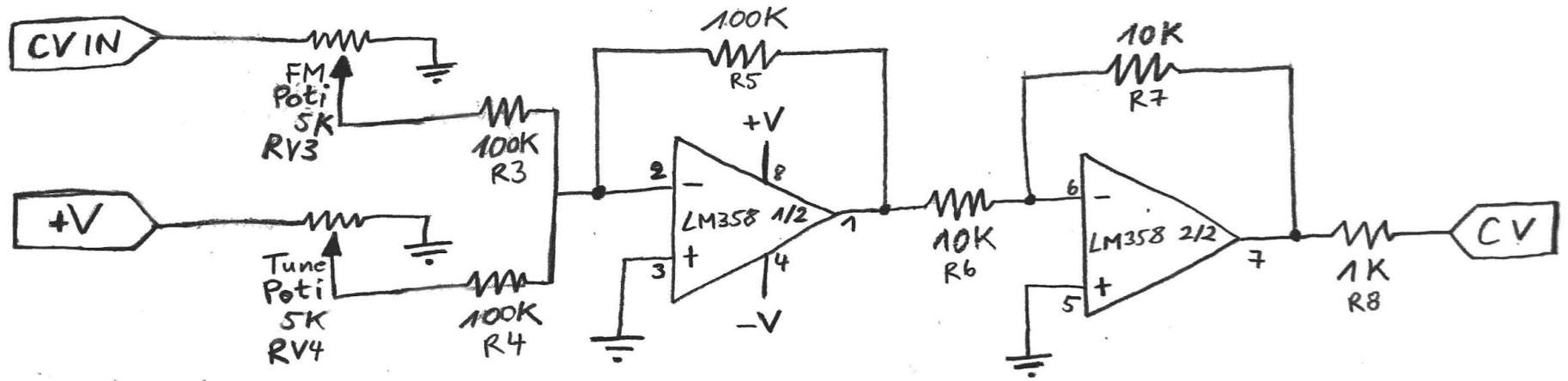
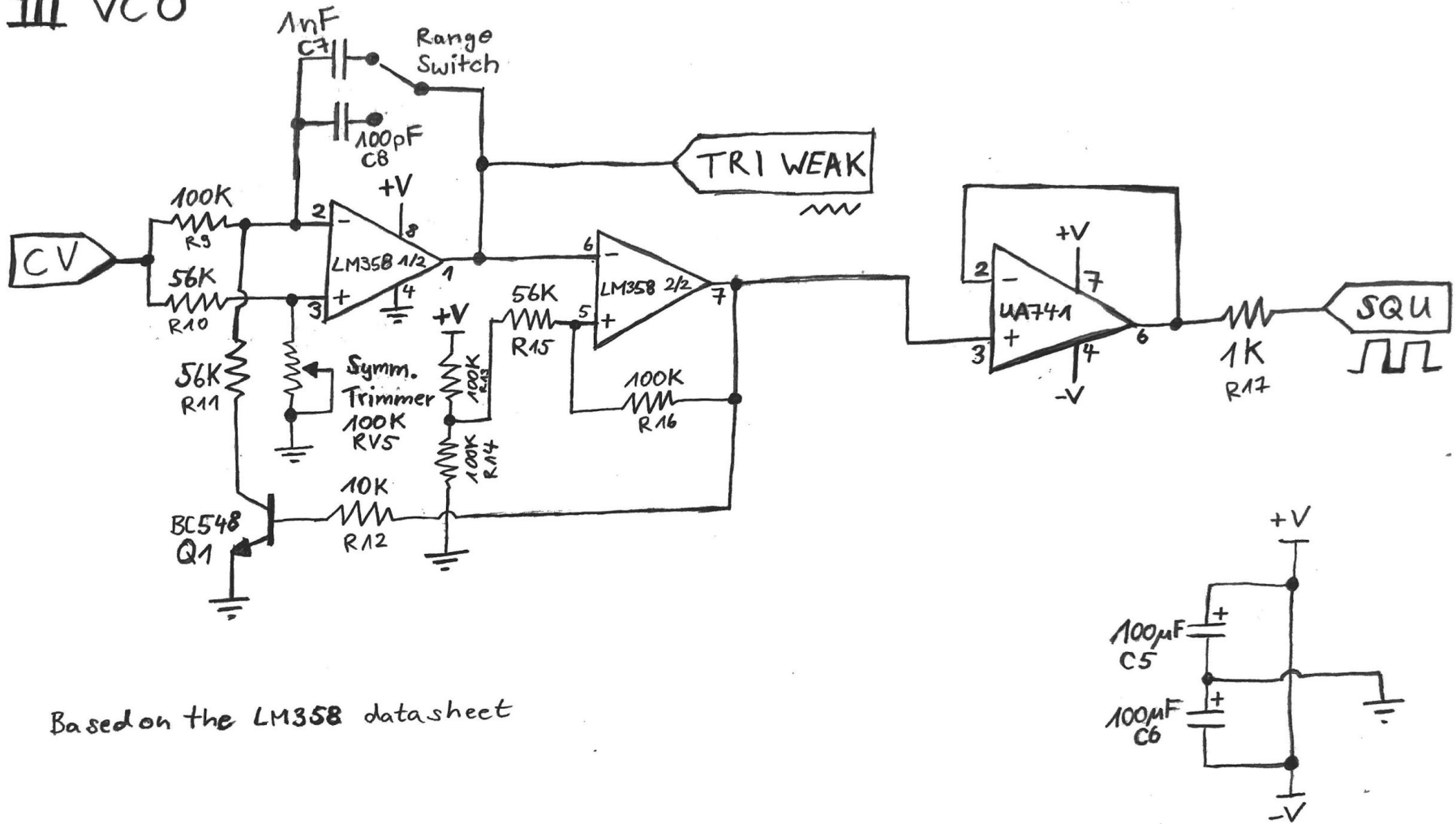


II INPUT ADJUST

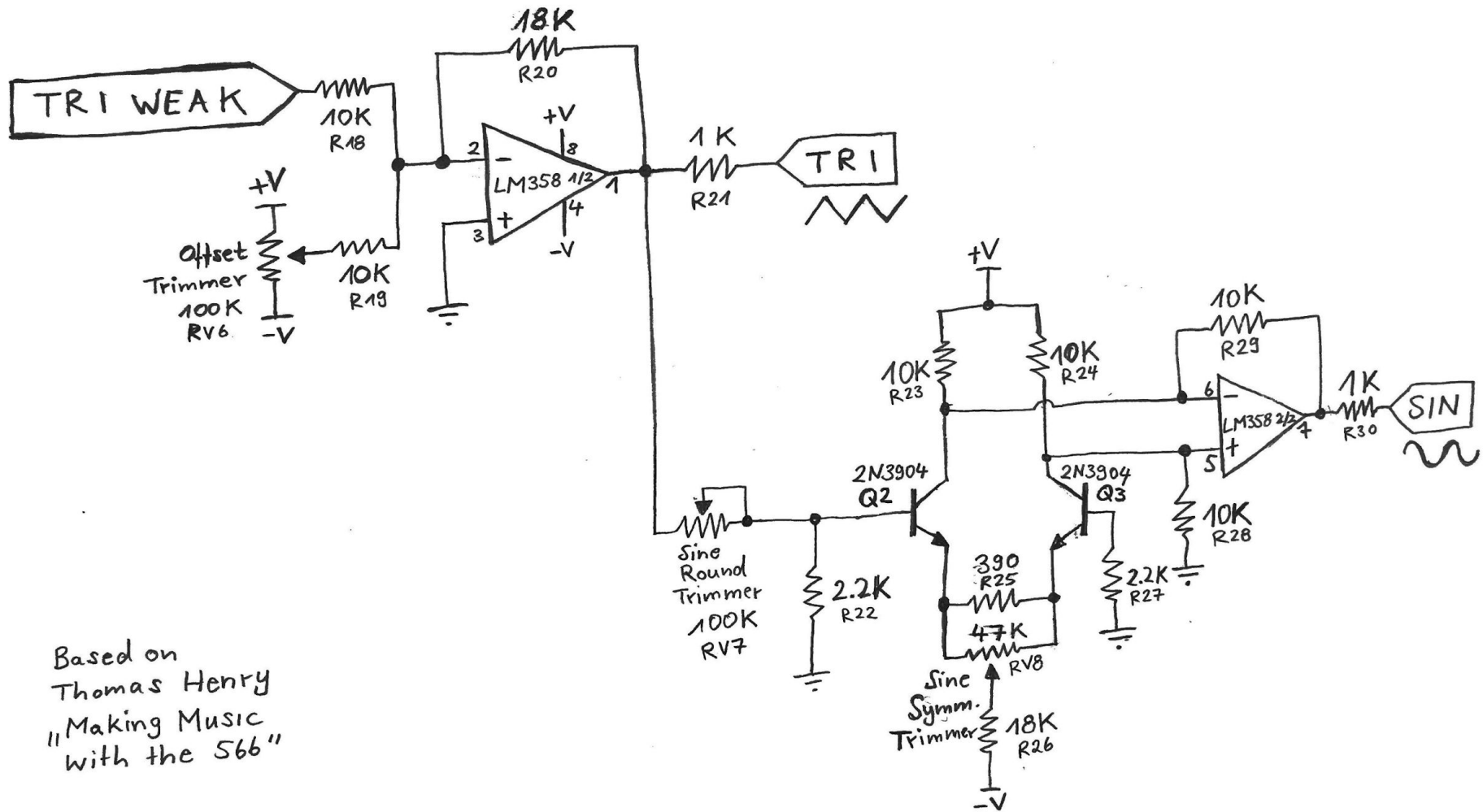


III VCO



Based on the LM358 datasheet

IV WAVESHAPER



Based on
Thomas Henry
"Making Music
with the 566"