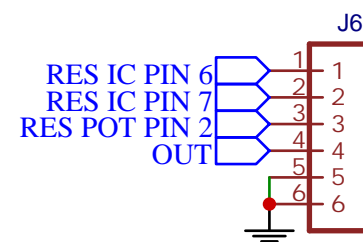
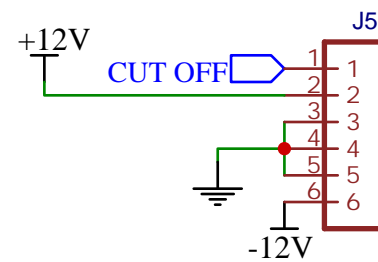
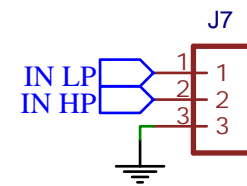

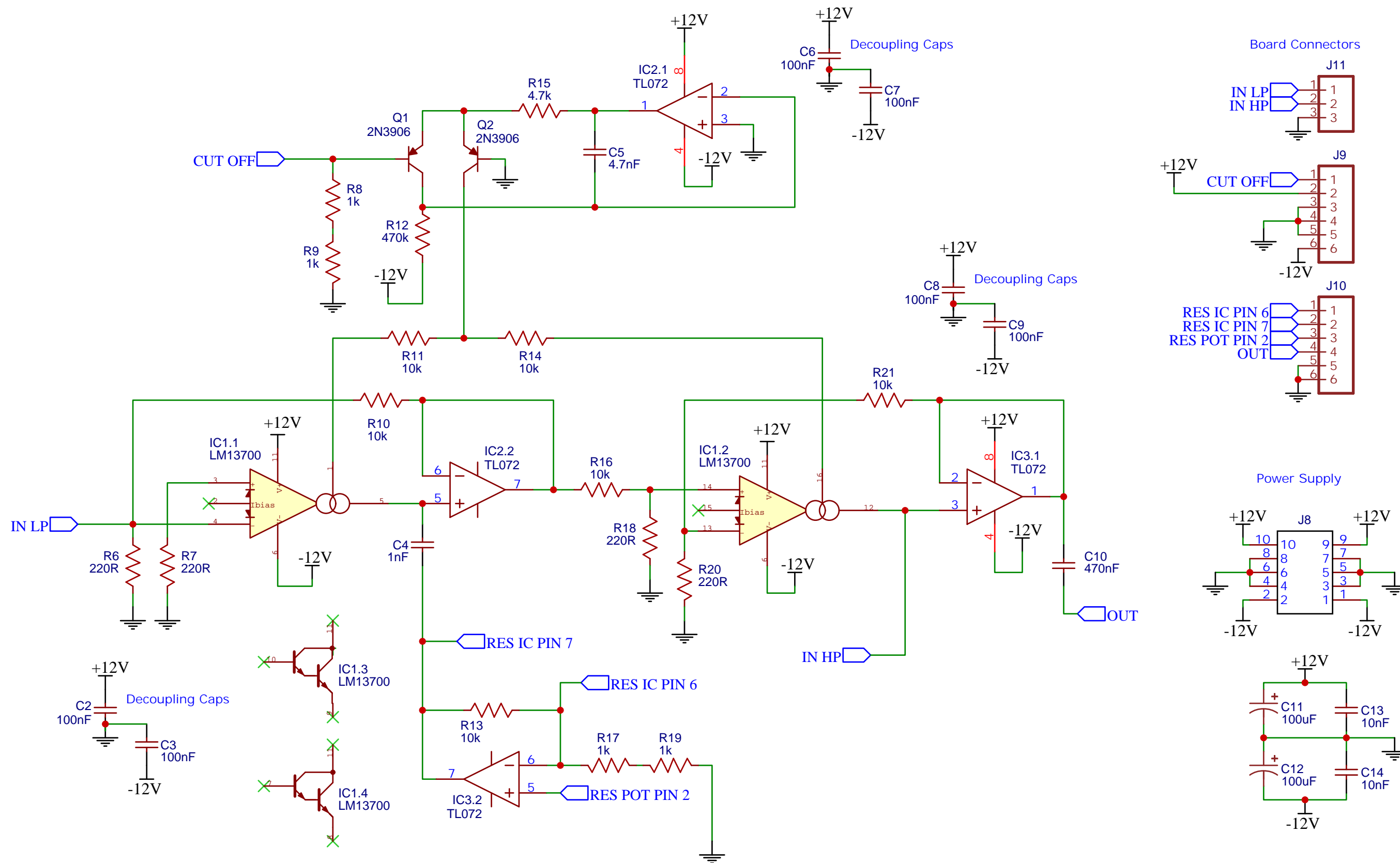


Board Connectors



Based on "Korg late MS20 filter" by Ren é Schmitz via schmitzbits.de

TITLE: VCF > Control Board		REV: 4
	Company: Bumm Bumm Garage	Sheet: 1/2
	Date: February 2022 Drawn By: Steffen	



Based on "Korg late MS20 filter" by René Schmitz via schmitzbits.de

TITLE: VCF > Main Board

REV: 4



Company: Bumm Bumm Garage

Sheet: 2/2

Date: February 2022 Drawn By: Steffen