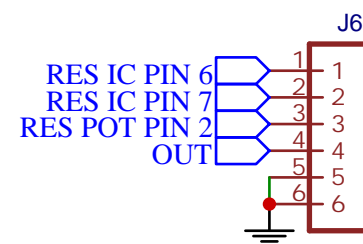
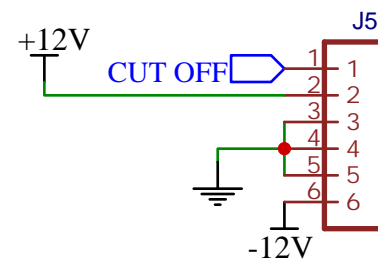
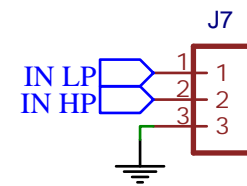
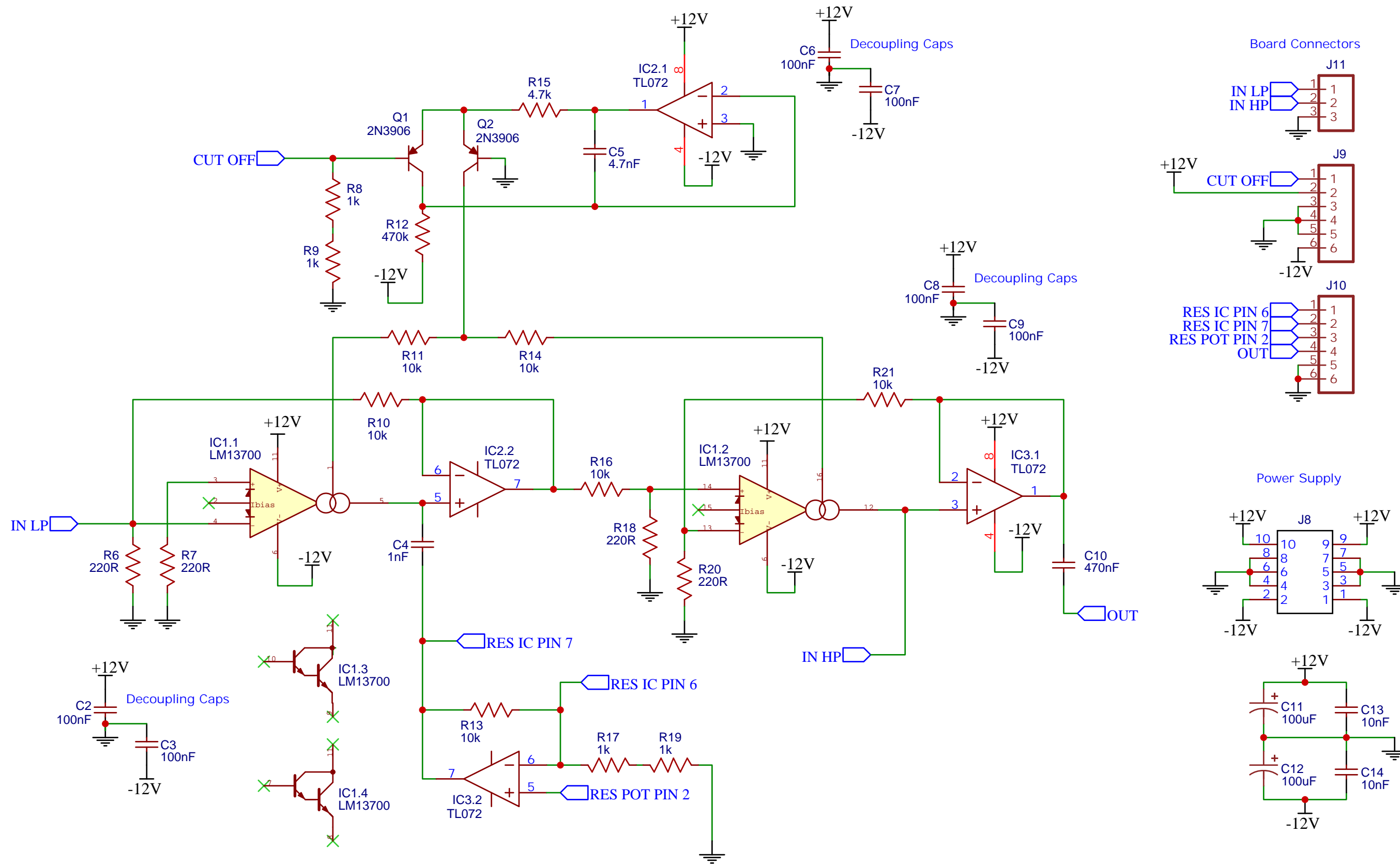


Board Connectors

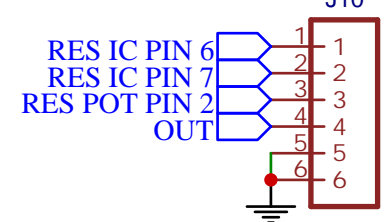
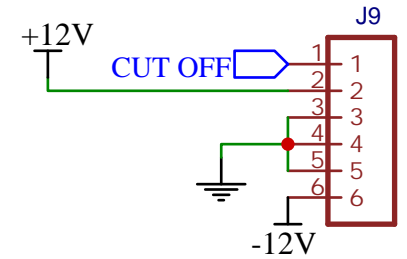
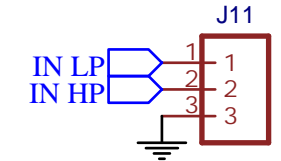


Based on "Korg late MS20 filter" by Ren é Schmitz via schmitzbits.de

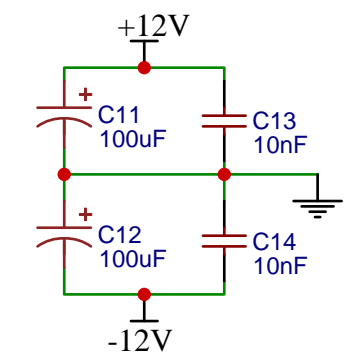
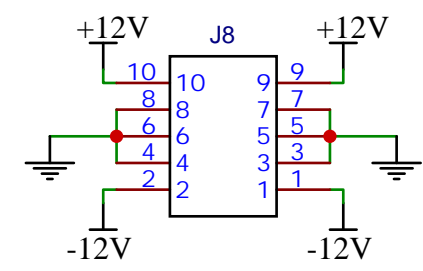
TITLE: VCF > Control Board		REV: 3
	Company: Bumm Bumm Garage	Sheet: 1/2
	Date: October 2021 Drawn By: Steffen	




Board Connectors



Power Supply



Based on "Korg late MS20 filter" by René Schmitz via schmitzbits.de

TITLE: VCF > Main Board		REV: 3
	Company: Bumm Bumm Garage	Sheet: 2/2
	Date: October 2021 Drawn By: Steffen	