

Envelope Follower

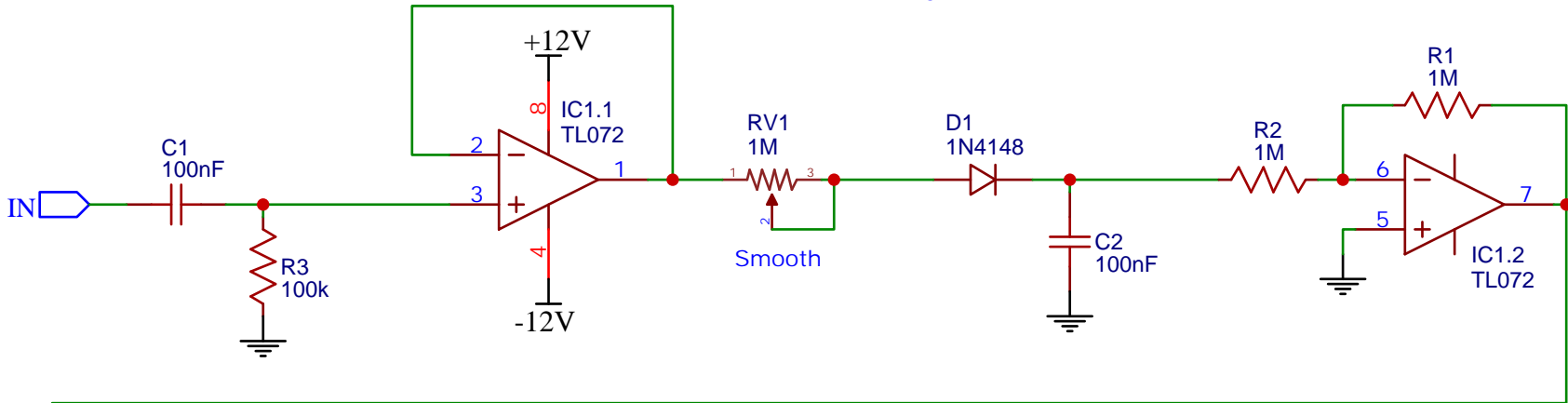
High pass filter
At ~15Hz to remove
potential DC offset

Buffer
Unity gain
voltage follower

Damper

Peak detector
<https://youtu.be/jIIsqRWhjGM>
Release time can be altered
by changing the cap value,
e.g. 10nF

Buffer
Unity gain
inverting amplifier



Buffer / Amplifier
Variable gain (>1)
inverting amplifier

Buffer
Unity gain
inverting amplifier

