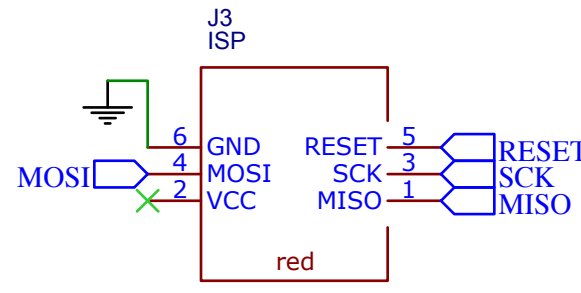
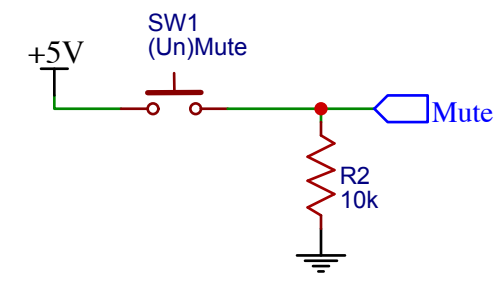
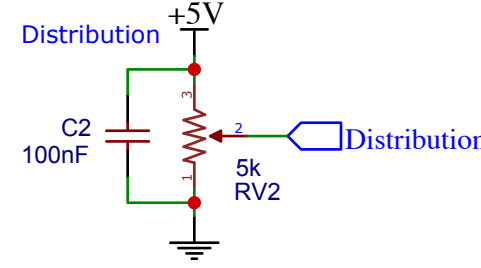
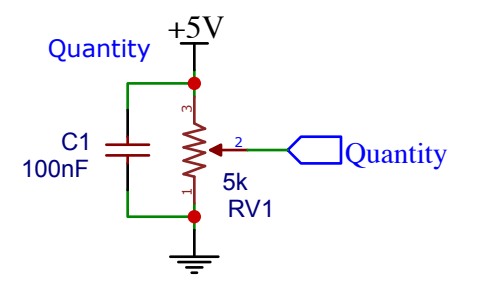
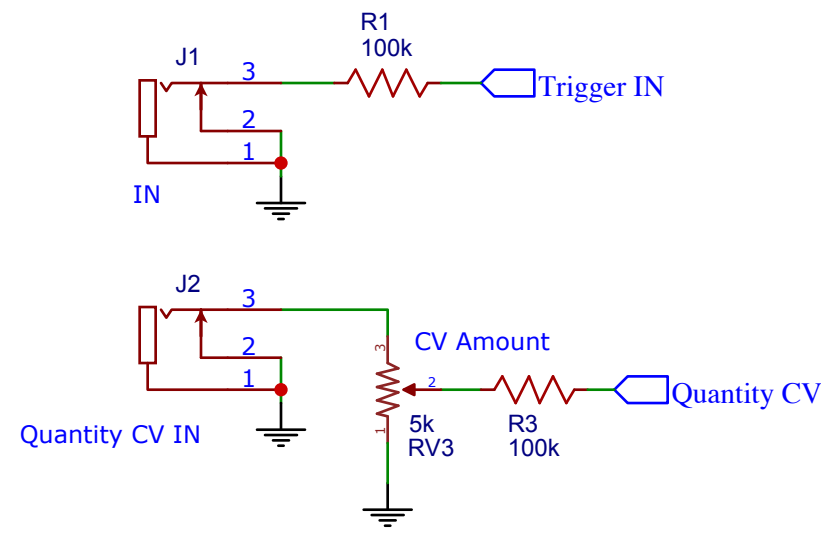
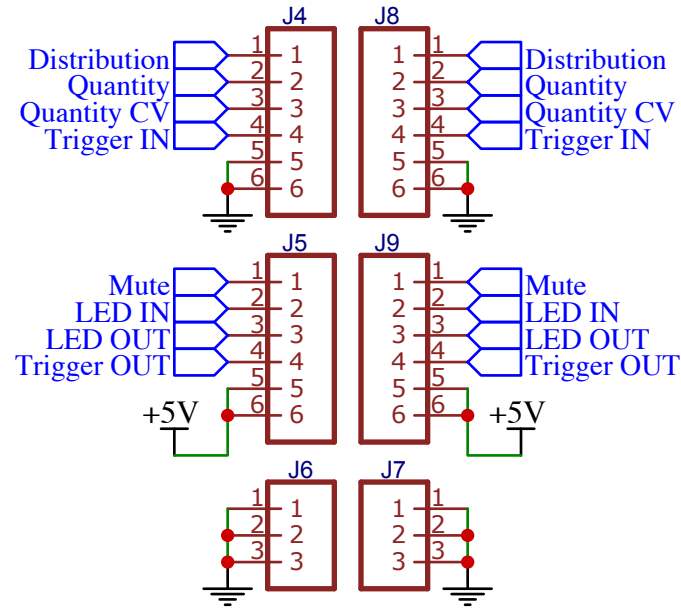


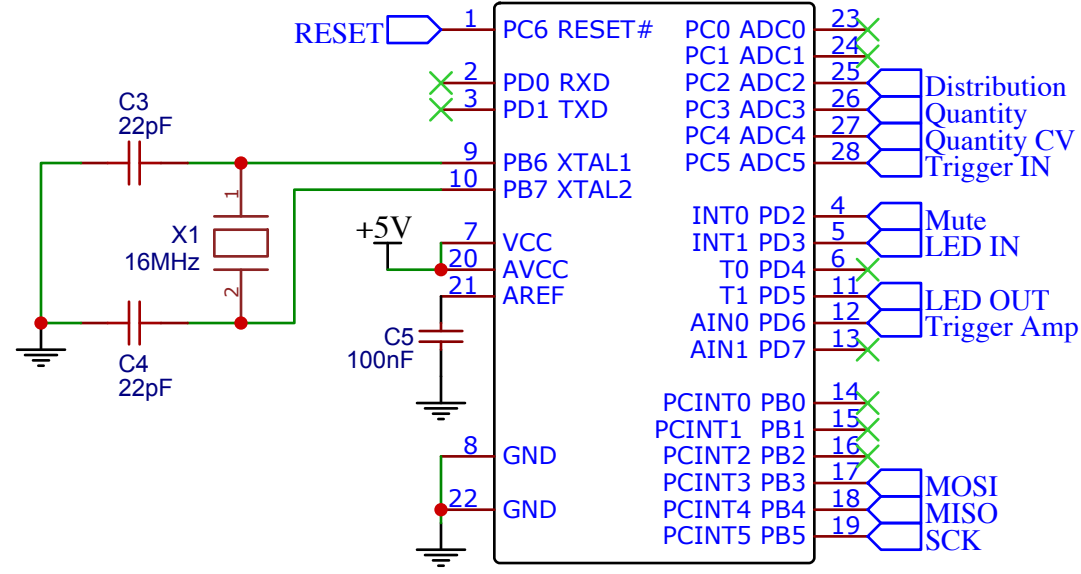
Inputs & Controls



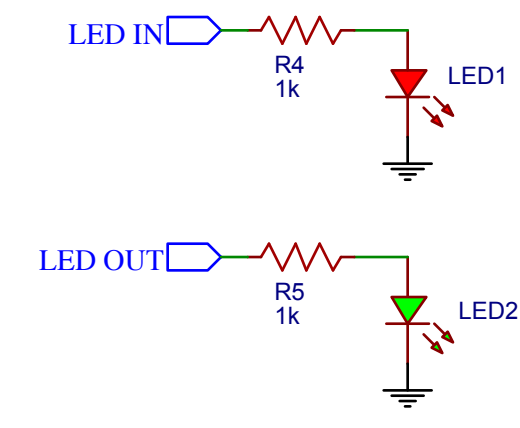
Board Connection



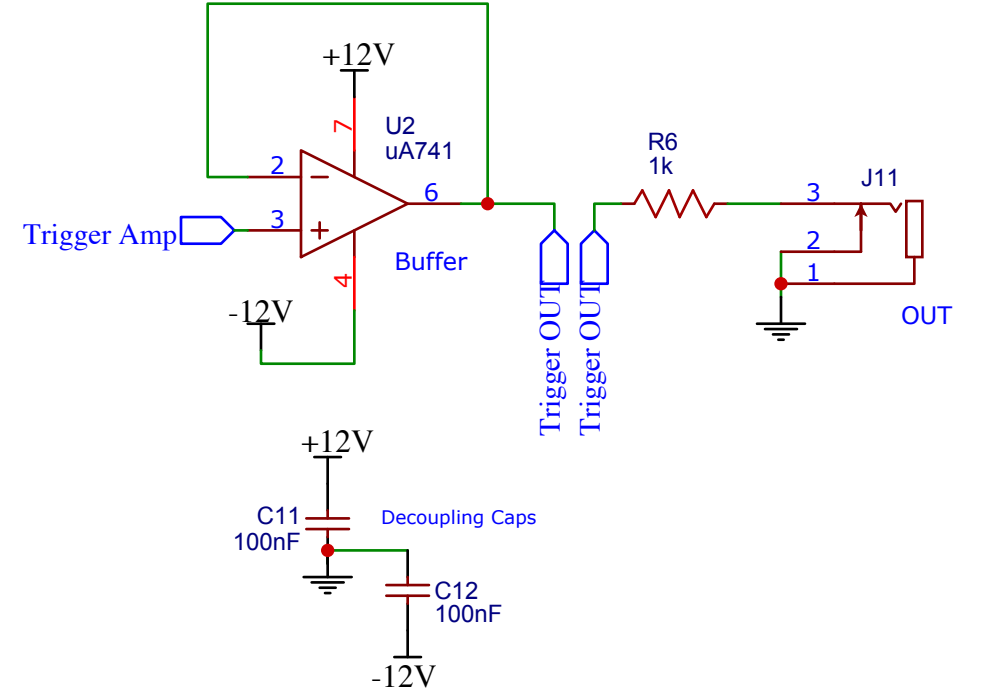
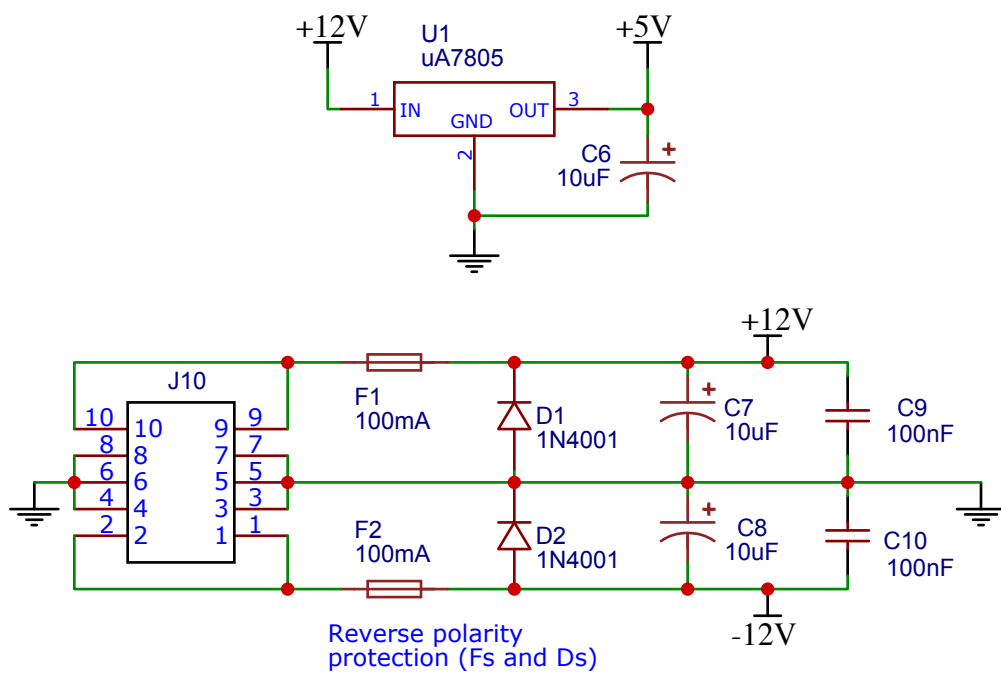
IC1 ATMEGA328P-PU



Output

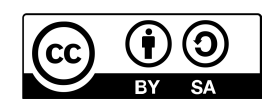


Power Supply




References

- <https://www.electricrcaircraftguy.com/2015/06/arduino-quick-tip-io-pin-overvoltage-protection-w-single-resistor.html?m=1>
 - <https://forum.arduino.cc/t/adding-capacitor-to-potentiometer/494971>
 - <https://www.instructables.com/Build-an-Arduino/>
 - <https://www.youtube.com/watch?v=Sww1mek5rHU> (Arduino Uno to ATmega328 - Shrinking your Arduino Projects)
 - <https://wolles-elektronikkiste.de/atmega328p-standalone-betreiben> (german)
- Reverse polarity protection seen on Bastl Instruments Popcorn and Music Thing Modular Radio Music



Creative Commons yeah!
License: CC BY-SA 4.0

TITLE: Clock Multiplier		REV: 2
	Company: Bumm Bumm Garage	Sheet: 1/1
	Date: September 2022 Drawn By: Steffen	